

SCREEDS

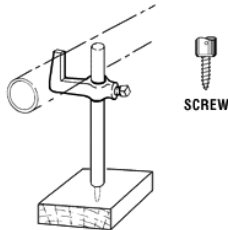
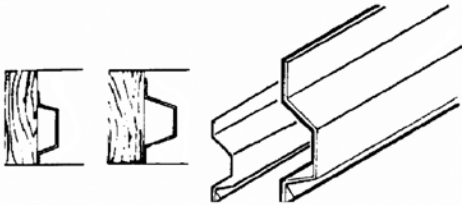


SLAB/HORIZONTAL

Plastic Key Way

This flexible polyethylene strip is nailed to a form or header before pouring. When stripped out later, a keyway is left in the concrete. Used to lock multiple on-grade slabs together in tilt-up buildings, insulated floors, curbs, driveways and wherever specified. Will not split chip or crack in any temperature. 2-1/8" recommended for 6" thick slabs. 3-1/2" recommended for 12" thick slabs.

No.	Size	Offset	Wt (lbs)	Qty/Ctn
CFA PK218	2-1/8" x 10ft.	3/4"	1.2	500 Ft
CFA PK312	3-1/2" x 10ft.	1-1/2"	2.2	400 Ft



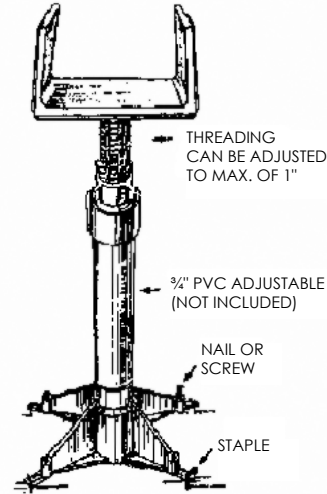
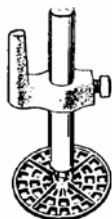
Posts

Screw Point Screed Post for wood forms or decking. 3/4" round stock. Pre-drill a 1/4" hole for lag screws.

No.	Size	Wt (lbs)
CT 10SP	10"	1.25
CT 12SP	12"	1.50
CT 16SP	16"	2.00
CT 18SP	18"	2.25
CT 24SP	24"	3.00

Tapped Screed Posts 1/2" tapped post fits threaded sections of screed pad when screeding over waterproof membrane.

No.	Size	Wt (lbs)
CT 10TP	10"	1.25
CT 12TP	12"	1.50
CT 16TP	16"	2.00
CT 18TP	18"	2.25
CT 24TP	24"	3.00



Adjustable Chair

The Adjustable Screed Chair is a multipurpose chair for level decks and accurate depression forms and comes with a base, adjustable ring, and 2x4 saddle. Simply attach the base to the form and place 3/4" PVC Pipe (not included) into the base. Then place the saddle, with the adjusting ring on top of the pipe and twist the saddle to the required elevation. Designed to allow up to 1" adjustment. 100 pieces per carton.

No.	Description	Wt (lbs)
AZ PAS400	Assembly	0.17

Pads

Used in conjunction with the tapped screed post for screeding over waterproof membrane and wood and steel decking. Cast aluminum with 1/2" NC diameter male threads.

No.	Wt (lbs)
CT SP	0.16

